

PHILIPS

Fortimo

LED

Fortimo LED Strip 0.5ft
MF 8xx HV6



Datasheet

The Fortimo LED Strip is a uniquely wide portfolio which can be used in all kind of linear indoor luminaire types. Its form factor makes it easy to design-in and handle in production as it complies to Zhaga standards. Due to the availability from 0.25ft up to 5ft lengths only one product family is needed to cover a wide range of needs.

Key features and benefits

- Typical module efficiency of 186 Lm/W (at 4000K CRI80)
- CRI90 High Efficiency typical performance of 174 Lm/W (at 4000K CRI90)
- Long life-time: >72,000 hours
- Excellent color consistency of 3 SDCM
- Two lumen packages per length available: LF (650 lm/ft) and MF (1100 lm/ft)
- Wide range of CCTs available: 2700K, 3000K, 3500K, 4000K, 5000K and 6500K
- Available in High Voltage (HV) and Low Voltage (LV)
- Options in front connector (FC) or back connector (BC)
- Small LED module width of only 20mm
- Available lengths: 0.25ft / 0.5ft / 1ft / 2ft / 4ft (1120mm) / 4ft extended (1150mm) / 5ft (1400mm) / 5ft extended 1450mm)
- Wide temperature (Tc) range -40°C to +80°C
- Five year system warranty

March 2023



Ordering data

Commercial product name	EOC	12NC	EPREL registration #	Box quantity
Fortimo LED Strip 0.5ft MF 830 FC HV6	8719514 486362 00	9290 029 39606	1413382	66
Fortimo LED Strip 0.5ft MF 840 FC HV6	8719514 486546 00	9290 029 39706	1413383	66

Drive currents

Parameter	Nominal*	Life**	Max***	Unit
Fortimo LED Strip 0.5ft MF 8xx HV6	267	720	720	mA

Module temperatures

Parameter	Nominal*	Life**	Max***	Unit
T _c (case temperature at T _c point)	45	75	85	°C

* Nominal value at which typical performance is specified

** Value at which life time is specified

*** Maximum value for safe operation, do not operate above this value

Optical characteristics - table per color (CCT)

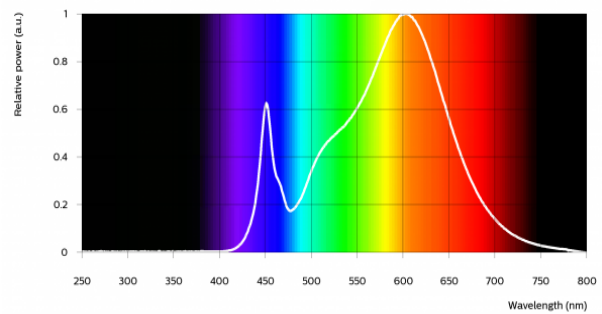
Fortimo LED Strip 0.5ft MF 830 FC HV6

Parameter	Min	Typ	Max	Unit
Luminous flux	500	518	550	lm
Efficacy	167	176	198	lm/W
Correlated color temperature (CCT)		3000		K
Color coordinates (CIEx, CIEy)		(0.433, 0.400)		-
Color consistency			3	SDCM
CRI	80			
R9	0			
Photometric code		830/339		
Photobiological safety			RG1 unlimited	



Measurement precision $\pm 5\%$ for the flux data and $\pm 6\%$ for the efficacy data. Measurement precision for color coordinates ± 0.005 . Measurement precision for CRI ± 1.5 .

Operation point	830	lm	lm/W
80% I-nom 214mA	Tc 25 °C	430	184
	Tc-nom 45 °C	420	180
	Tc-max 85 °C	394	172
I-nom 267mA	Tc 25 °C	531	180
	Tc-nom 45 °C	518	176
	Tc-max 85 °C	487	168
I-max 720mA	Tc 25 °C	1319	155
	Tc-nom 45 °C	1285	152
	Tc-max 85 °C	1205	145



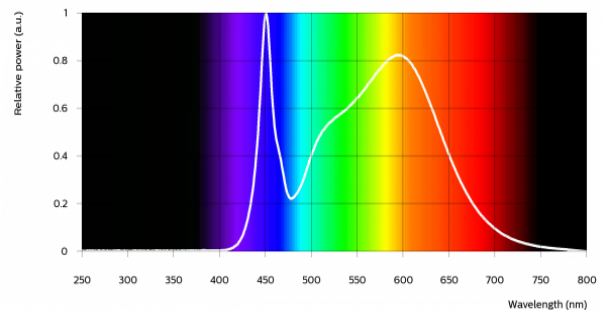
Fortimo LED Strip 0.5ft MF 840 FC HV6

Parameter	Min	Typ	Max	Unit
Luminous flux	530	550	610	lm
Efficacy	177	187	220	lm/W
Correlated color temperature (CCT)		4000		K
Color coordinates (CIEx, CIEy)		(0.381, 0.377)		-
Color consistency			3	SDCM
CRI	80			
R9	0			
Photometric code		840/339		
Photobiological safety			RG1 unlimited	



Measurement precision $\pm 5\%$ for the flux data and $\pm 6\%$ for the efficacy data. Measurement precision for color coordinates ± 0.005 . Measurement precision for CRI ± 1.5 .

Operation point	840	lm	lm/W
80% I-nom 214mA	Tc 25 °C	457	195
	Tc-nom 45 °C	445	191
	Tc-max 85 °C	418	182
I-nom 267mA	Tc 25 °C	565	191
	Tc-nom 45 °C	550	187
	Tc-max 85 °C	516	178
I-max 720mA	Tc 25 °C	1408	165
	Tc-nom 45 °C	1371	162
	Tc-max 85 °C	1285	154



Electrical characteristics

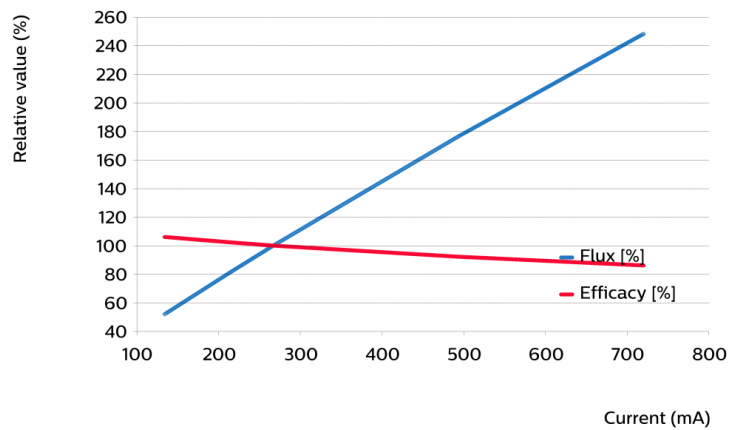
Parameter	Min	Typ	Max	Unit
Forward voltage	10.4	11.0	11.2	V
Power consumption	2.8	2.9	3.0	W = kWh/1000h
Number of modules in series per chain			29	
Number of modules in parallel			4	

Measurement precision for Vf +/- 3%. Measurement precision for power +/- 3.3%

Tuning information

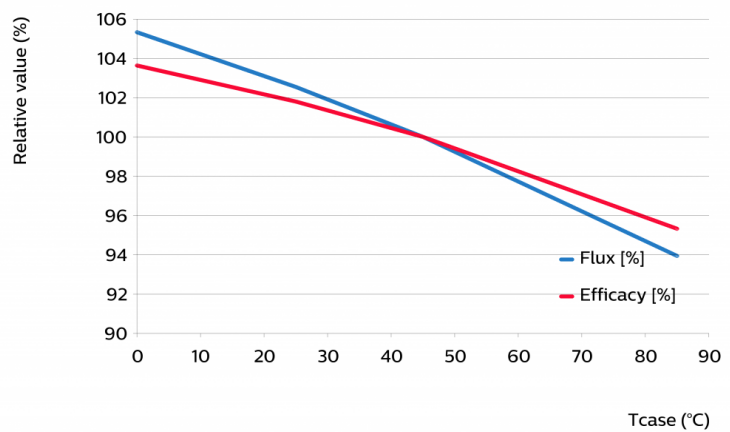
Flux and efficacy versus current (at Tc nominal)

I [mA]	Flux [%]	Efficacy [%]
720	248	86
494	177	92
267	100	100
214	81	102
134	52	106



Flux and efficacy versus temperature at Tc (at I nominal)

Tc [°C]	Flux [%]	Efficacy [%]
85	94	95
45	100	100
25	103	102
0	105	104



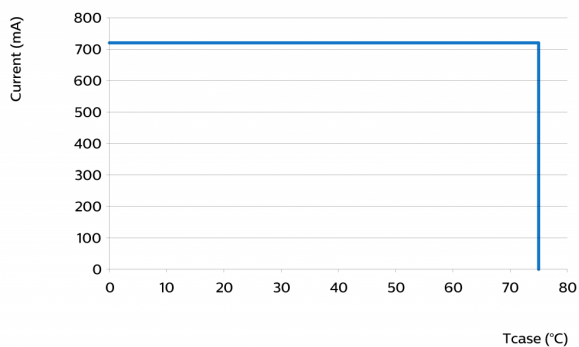
Lumen maintenance

Operation point	Lumen maintenance x 1000 hours	L70			L80			L90		
		B50	B20	B10	B50	B20	B10	B50	B20	B10
80% Inom=214mA	Tc=25°C	>72	>72	>72	>72	>72	>72	>68	>68	>68
	Tc_nom=45°C	>72	>72	>72	>72	>72	>72	>68	66	64
	Tc_life=75°C	>72	>72	>72	>72	>72	>72	47	45	44
Inom=267mA	Tc=25°C	>72	>72	>72	>72	>72	>72	>68	>68	>68
	Tc_nom=45°C	>72	>72	>72	>72	>72	>72	>68	66	64
	Tc_life=75°C	>72	>72	>72	>72	>72	>72	47	45	44
Ilife=720mA	Tc=25°C	>72	>72	>72	>72	>72	>72	>41	>41	>41
	Tc_nom=45°C	>72	>72	>72	>72	>72	>72	>41	>41	>41
	Tc_life=75°C	>72	>72	>72	>72	>72	>72	41	39	38

Lifetime

Parameter	Value	Unit
M70F50 nominal	>72000	hours
M70F50 life	>72000	hours

Performance Window

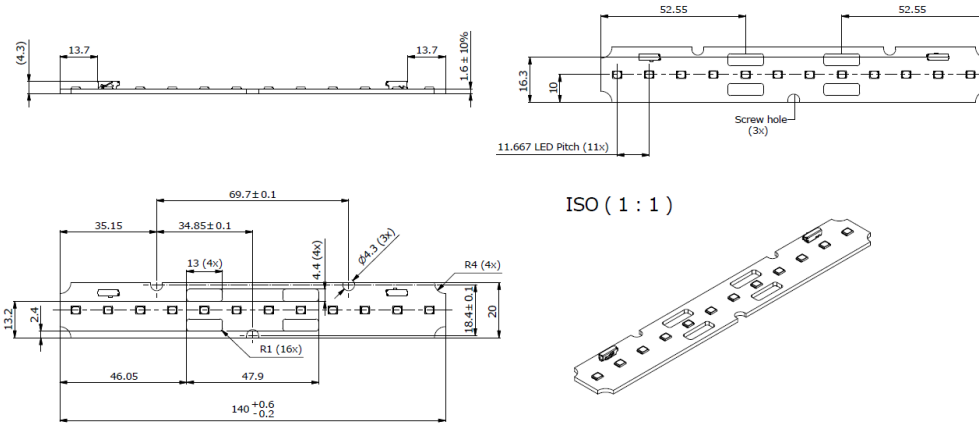


Wiring

Specification item	Value	Unit	Condition
Input wire cross-section	0.25...0.75	mm ²	solid wire
	18...24	AWG	solid wire
Input wire strip length	7.5...8.5	mm	
Input wire cross-section	0.33...0.5	mm ²	stranded wire
	20...22	AWG	stranded wire
Input wire strip length	7.5...8.5	mm	

Mechanical characteristics

Parameter	Min	Typ	Max	Unit
Length	139.8	140	140.6	mm
Width	19.8	20	20.2	mm
Height PCB	1.45	1.6	1.75	mm
Height Total		4.3		mm
Product mass		8.2		gram



Absolute ratings

Parameter	Min	Max	Unit
Current through the LED module (I-max)		720	mA
Case temperature (Tc-max)		85	°C
ESD (direct contact)	8		kV
Working voltage		350	V _{dc}

Application information

Certificates and Standards

CE
ENEC
ENEC+

Environmental

RoHS/REACH

Application

Dimming

Yes



© 2023 Signify Holding, IBRS 10461, 5600VB, NL. All rights reserved. The information provided herein is subject to change, without notice. Signify does not give any representation or warranty as to the accuracy or completeness of the information included herein and shall not be liable for any action in reliance thereon. The information presented in this document is not intended as any commercial offer and does not form part of any quotation or contract, unless otherwise agreed by Signify.

www.philips.com/oem

Philips and the Philips Shield Emblem are registered trademarks of Koninklijke Philips N.V. All other trademarks are owned by Signify Holding or their respective owners.
UK importer address: Signify Commercial UK Limited, 3 Guildford Business Park, GU2 8XG

02/03/2023