

# M4-C DMX/RDM CV Decoder



CE RoHS

{ 5-year warranty }

With the standard RDM (Remote Device Management) protocol, M4-C supports DMX512 signal bi-directional communication, achieves remote management of reading and writing DMX addresses (DMX master controller must support the RDM protocol). It realizes 0-100% dimming or different lighting effects. It can work with DIM, CT, RGB, RGBW constant voltage LED lamps. M4-C can be operated in DMX mode or in customized mode.

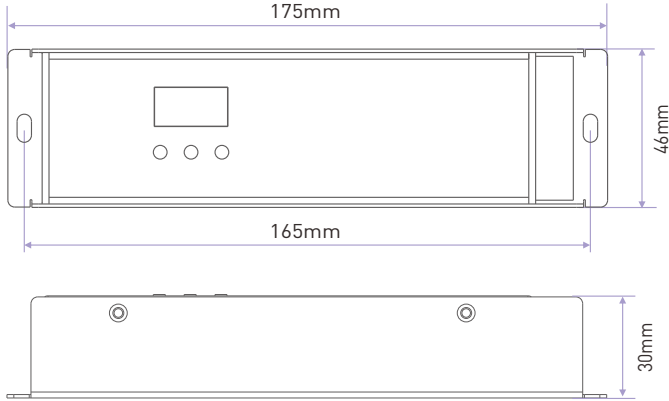
## Product Parameters

### M4-C

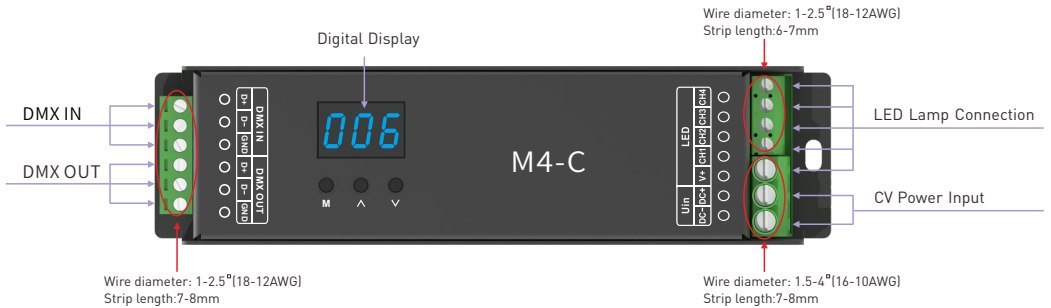
Input Signal:	DMX512, RDM	Working Temp:	-30°C-55°C
Input Voltage:	12-48Vdc	Dimensions:	L175×W46×H30(mm)
Output Current:	Max.8A/CH Max.24A(4CH)	Package Size:	L187×W52×H36(mm)
Output Power:	0-96W...384W/CH Max.1152W(4CH)	Weight[G.W.]:	325g±5g
Dimming Range:	0-100%	Protection:	Short circuit, over temperature, over current protection, auto recovery.
DMX Signal Port:	Green terminal		

## Product Size

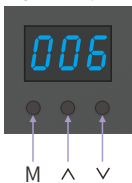
Unit: mm



## Main Component Description



### Digital Display:



- Access configuration: Long press the M button for more than 2s.
- Adjust Value: Short press ^ or v button.
- Exit Menu: Long press M button for 2s again to save the setting, then exit the menu.
- Long press M, ^ and v button simultaneously for 2s. When the screen displays RES, it has been reset to factory defaults.
- The display locks automatically after 15 seconds of inactivity.

## OLED Display Interface

### DMX mode



The default is DMX mode for this product. Long press "M" + "^" button simultaneously for more than 2s to switch to the DMX mode.

In customized mode, when the device receives DMX/RDM data, it will automatically switch to the DMX mode.

- (1) Long press the "M" button for more than 2s to configure the DMX address.
- (2) Press the "v" or "^" button to adjust the address value, long press "v" or "^" button to gradually increase the changing speed of address value.
- (3) After parameter settings are completed, long press the SETUP button for more than 2s to save the configuration.

### Customized mode



Long press "M" + "^" button simultaneously for more than 2s to switch to the customized mode.

The default OLED display: E-2



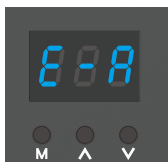
e.g. E-1 ( no lighting effect)

Long press "M" button for more than 2s to configure the display;

Press "^" or "v" button to select the displayed value. The third value on the screen display 1-9 or A.

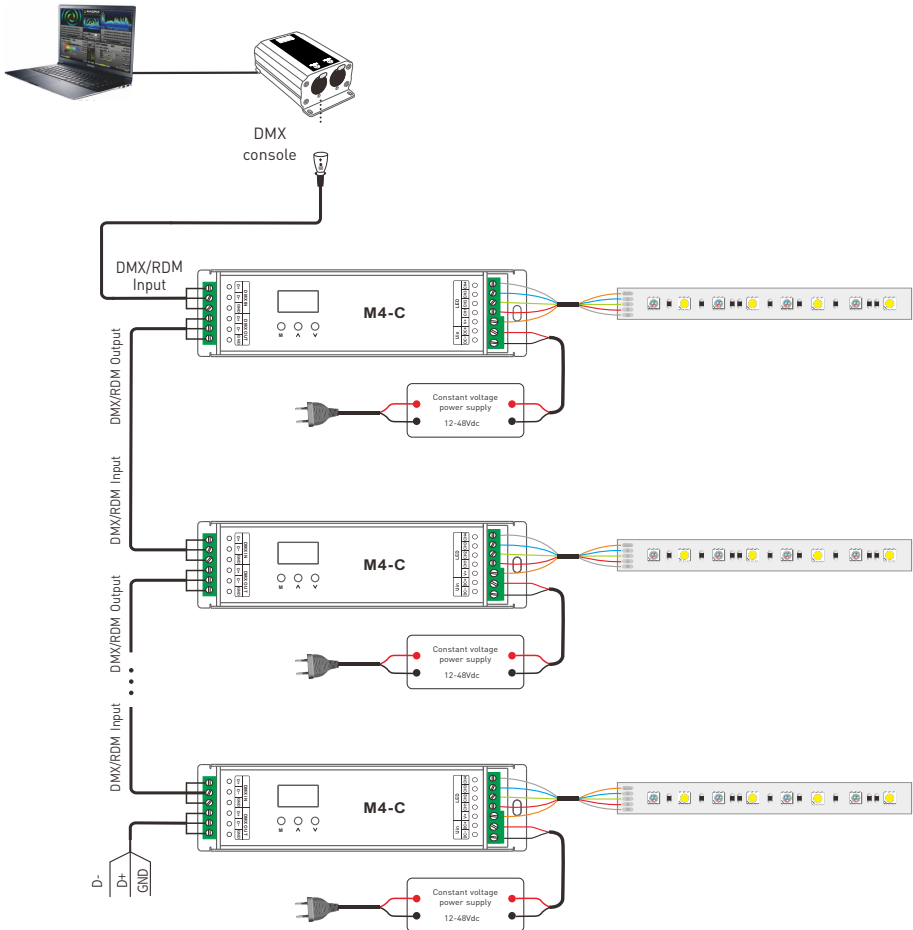
Options:

- |                          |                        |
|--------------------------|------------------------|
| E-1 (no lighting effect) | E-6 (Purple)           |
| E-2 (Red)                | E-7 (Cyan)             |
| E-3 (Green)              | E-8 (White)            |
| E-4 (Blue)               | E-9 (7-color jumping)  |
| E-5 (Yellow)             | E-A (7-color gradient) |



e.g.E-A (7-color gradient)

## Wiring Diagram



- \* When more than 32 DMX decoders are connected, DMX signal amplifiers are needed and signal amplification should not be more than 5 times continuously. If you need to modify the parameter settings of connected DMX/RDM decoders that exceed 32, you can add 1 RDM signal amplifier. Or you can add 1-5 DMX signal amplifiers after completing the parameter settings.
- \* If the recoil effect occurs because of long signal line or poor quality wires, please try to connect a 0.25W 90-120Ω terminal resistor at the end of each line.

## Attentions

- This product must be installed and adjusted by a qualified professional.
  - This product is non-waterproof (special models excepted). Please avoid the sun and rain. When installed outdoors, please ensure it is mounted in a water proof enclosure.
  - Good heat dissipation will extend the life the product. Please install the product in a environment with good ventilation.
  - When you install this product, please avoid being near a large area of metal objects or stacking them to prevent signal interference.
  - Please keep the product away from a intense magnetic field, a high pressure area or a place where lightning is easy to occur.
  - Please check whether the working voltage used complies with the parameter requirements of the product.
  - Before you power on the product, please make sure all the wiring is correct in case of incorrect connection that may cause a short circuit and damage the components, or trigger a accident.
  - If a fault occurs, please do not attempt to fix the product by yourself. If you have any question, please contact the supplier.
- \* This manual is subject to changes without further notice. Product functions depend on the goods. Please feel free to contact our official distributors if you have any question.

## Warranty Agreement

Warranty periods from the date of delivery : 5 years.

Free repair or replacement services for quality problems are provided within warranty periods.

Warranty exclusions below:

- Beyond warranty periods.
  - Any artificial damage caused by high voltage, overload, or improper operations.
  - Products with severe physical damage.
  - Damage caused by natural disasters and force majeure.
  - Warranty labels and barcodes have been damaged.
  - No any contract signed by LTECH.
1. Repair or replacement provided is the only remedy for customers. LTECH is not liable for any incidental or consequential damage unless it is within the law.
  2. LTECH has the right to amend or adjust the terms of this warranty, and release in written form shall prevail.