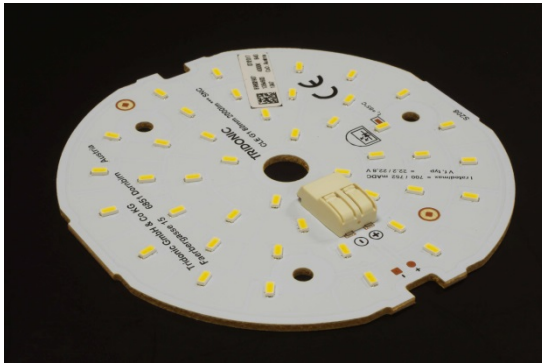


LED Light Engines

Circular LED Array PA80-48S3014-700mA



Features

- 80mm diameter light engine
- High performance 48 LED array
- 700mA max constant current drive
- Efficacy >144lm/W
- CRI Ra >80
- Long life: 50000 hours
- Choice of colour temperatures
- Wide beam angle 120°

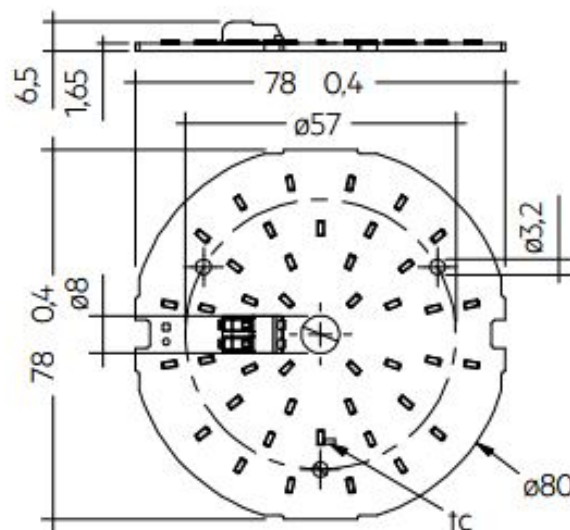
Description

The PA80-48 LED light engines are designed for downlighting and general lighting designs using an mid power LED array. The assembly uses the mid power 3014 LED in series parallel configuration and delivers a high 2000 lumen with small macadam 4 step colour tolerance even and consistent light output.

| SPECIFICATIONS | | | | | | |
|---------------------|---------------|---------------------|--------------|-------------------------------|----------|------------------|
| Model | Vf (V) typ | Power (W) @700mA | CCT°K | Total Flux (lm) typ @700mA | CRI (Ra) | LED Drive max |
| PA80-48S3014-xx-700 | 22.2 | 15.5 | 5000 ~ 6500K | 2000 | >80 | 700mA CC |
| PA80-48S3014-xx-700 | | | 4000 ~ 4500K | 2000 | | |
| PA80-48S3014-xx-700 | | | 2700 ~ 3000K | 2000 | | |

LED Driver Screw terminal PSU-SNP20-700
LED Driver IP67 rated PSU-LA20-700
LED Driver dimmable LT-TD-25-180-700E1P1

Dimensions



Notes:
Use in conjunction with constant current LED drivers max 700mA
Ensure thermal management to maintain LED junction temp Tc Max 85°C
Higher intensity versions are available on request

Specifications may be subject to change without notice