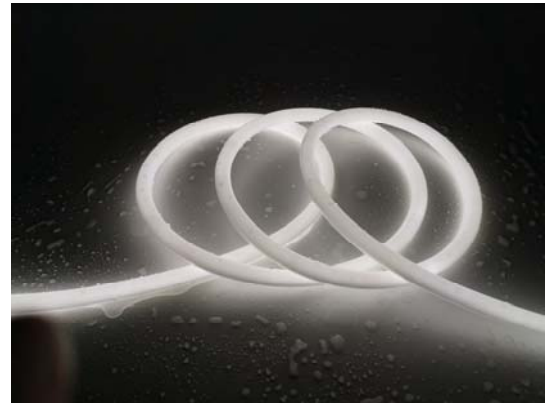


PNF1715-120SLD2835xW-24V-12W/IP67

Flexible Neon LED Strip

Features

- Flexible Top View LED light source
- High Performance 2835 SMD emitters
- Easy to cut at 50mm intervals
- Wide 120° angle of emission
- IP67
- 3 Year Warranty



Applications

POS Display equipment, signage, accent & decorative lighting

Configuration

Part No. series	PNF1715-120SLD2835xW-24V-12W/IP67
LEDs / metre	120
LED Pitch	8.33mm
Reel Size / Qty	5M/600
Strip Profile	17.0 x 15.0mm

X denotes CCT

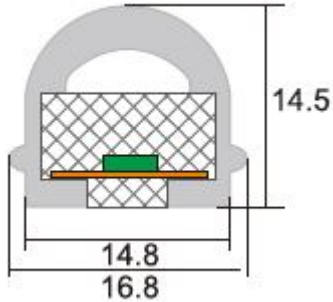
Maximum Electrical Characteristics Ta=25°C

Parameter	24VDC	Unit
Input Voltage	24v Typical	VDC
Current consumption / metre (max)	500mA	mA/m
Current consumption total (max)	2.5A	A/ TOT / reel
Power consumption / metre (max)	12.0W	W/m
Power consumption total (max)	60W	W/TOT /5m reel
Operating Temp	-20 to +45°C	°C
Storage Temp	-10 to +55°C	°C

Optical Characteristics Ta=25°C

Emitted colour	Wavelength/CCT typ.	Luminous Flux (lm/metre)	Viewing Angle
Pure White	6000K	1200	120°
Warm White	3000K	1000	

Dimensions



Handling notes:

Ensure that the correct low voltage dc power supply is matched to the flexible strip specification

Avoid repeated bending of the strip as this will damage the circuit and components

Avoid handling of the surface components in particular the LED emitters as any pressure may result in damage and latent failures.

When cutting IP65-IP68 the ingress protection will be compromised please ensure that the assembly is re-sealed accordingly in order to maintain the IP rating

Installation notes:

To achieve a consistent luminous effect, each 5 metre length should be connected to the power source.

To ensure long life we recommend that the strip is kept as cool as possible and environments where the temperature exceeds 40°C should be avoided

Drive & Control:

For control solutions please refer to our range of controllers and drive options which include DMX, RF Wireless, WiFi. More information may be found at <http://www.plusopto.co.uk/led-controllers.html>

Specifications may be subject to change without notice