

**Neon Flex Side View Horizontal bend**

**Features**

- Flexible LED light source
- Side View Horizontal bend
- High Performance SMD emitters
- 10x10mm side view
- Easy to cut at 50mm intervals
- Wide 180° angle of emission
- IP67
- 3 Year Warranty



**Applications**

POS Display equipment, signage, accent & decorative lighting

**Maximum Electrical Characteristics Ta=25°C**

Parameter	24VDC	Unit
Input Voltage	24v Typical	VDC
CRI / Ra	>90	mA/m
Power consumption / metre (max)	5W and 10W	W/m
Operating Temp	-25 to +45°C	°C

**Optical Characteristics Ta=25°C**

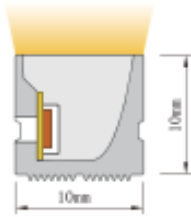
Part Number	Emitted colour	Wavelength/CCT typ.	Lumens/metre Power 5W/m (max length 5m)	Lumens/metre Power 10W/m (max length 5m)
PNS-1010-W21-24V-x	Extreme Warm White	2000K - 2200K	279	533
PNS-1010-W24-24V-x	Extra Warm White	2300K – 2500K	292	564
PNS-1010-W27-24V-x	Warm White	2600K – 2800K	298	571
PNS-1010-W30-24V-x	Warm White	2900K - 3100K	322	623
PNS-1010-W35-24V-x	Natural/Warm White	3400K – 3700K	306	593
PNS-1010-W40-24V-x	Natural White	3800K – 4300K	340	660
PNS-1010-W50-24V-x	Daylight White White	4800K – 5300K	346	677
PNS-1010-W60-24V-x	Pure White	5900K – 6400K	356	690

**Notes:**

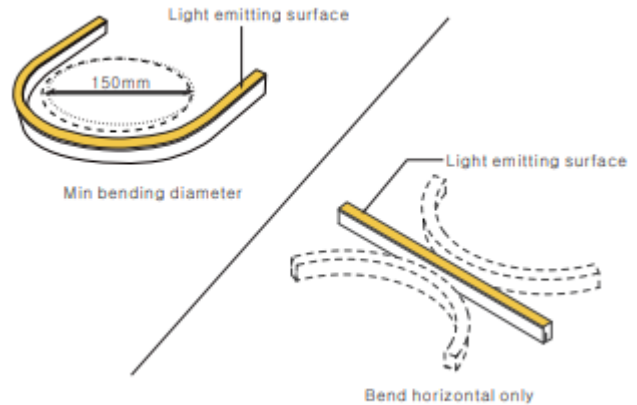
X denotes suffix -5W for low power -10W for high power

Primary colours R, G, B, Y and Pink also available

### Dimensions



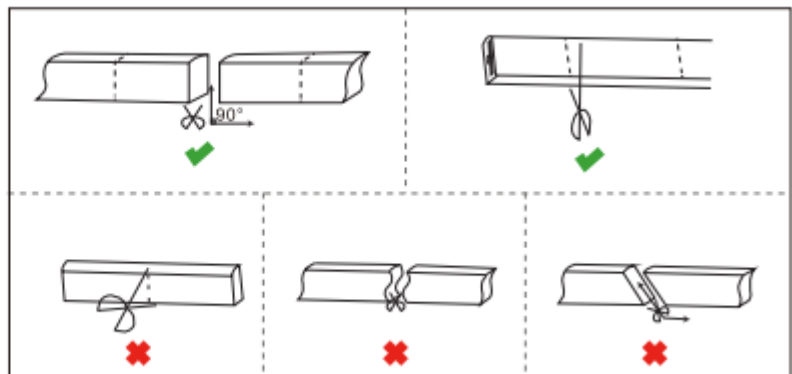
Side view horizontal bend



### Cutting details



Remark: The bottom of the led strip has transparent window, the black marker is the cutting position

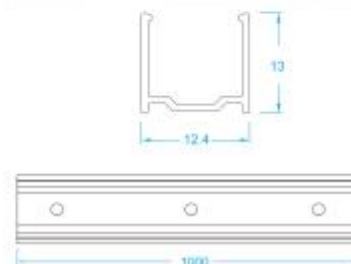


### Mounting Accessories

Stainless Steel Mounting clips



Aluminium Profile





**Handling notes:**

Ensure that the correct low voltage dc power supply is matched to the flexible strip specification

Avoid repeated bending of the strip as this will damage the circuit and components

Avoid excess pressure on the strip as this may result in damage and latent failures.

When cutting, the ingress protection will be compromised please ensure that the assembly is re-sealed accordingly in order to maintain the IP rating

**Installation notes:**

To achieve a consistent luminous effect, each 5 metre length should be connected to the power source.

To ensure long life we recommend that the strip is kept as cool as possible and environments where the temperature exceeds 40°C should be avoided

**Drive & Control:**

For control solutions please refer to our range of controllers and drive options which include DMX, RF Wireless, WiFi. More information may be found at <http://www.plusopto.co.uk/led-controllers.html>

Specifications may be subject to change without notice